

SAVE WATER. SERVE BETTER.

CONSERVEWELL™ UTENSIL HOLDER

Holds serving utensils above 140° F, keeping them safe against bacteria growth - environmentally smart and economically sound alternative to traditional dipper well perpetual-flow sinks

Available with or without timer, which helps ensure timely water changeouts with programmable countdown function

Drops into most existing counter cut-outs for perpetual flow dipper wells

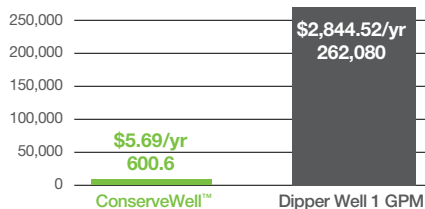


9 foot 110V power cord allows for above or below counter plug-in

Cool touch thermal composite material safeguards servers

Includes (1) stainless steel inset; finger indents at sides make inset refills or cleaning quick and easy

GALLONS PER YEAR*



*52 weeks at 7 days per week at 12 hours per day. Average water and sewer rate of \$9.48 per 1,000 gal.



CONSERVEWELL™
Model CW-DI

Application

- Replace a traditional dipper well perpetual-flow sink to save water, energy and money
- Drop into a serving station to keep utensils clean and handy

Fast Facts

Environmentally friendly method of rinsing and protecting utensils against bacteria growth versus traditional dipper wells; one unit can save over 250,000 gallons of water per year.

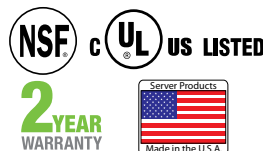
The ConserveWell™ keeps serving utensils above 140° F, keeping them safe while saving water, energy and money.

Unit drops into most existing counter cut-outs for perpetual flow dipper wells. Features a cool touch material for easy handling.

CONSERVEWELL™ UTENSIL HOLDER Model CW-DI



1.800.558.8722
ConserveWell-NotDipperWell.com



CLEAN HAS NEVER BEEN MORE GREEN.

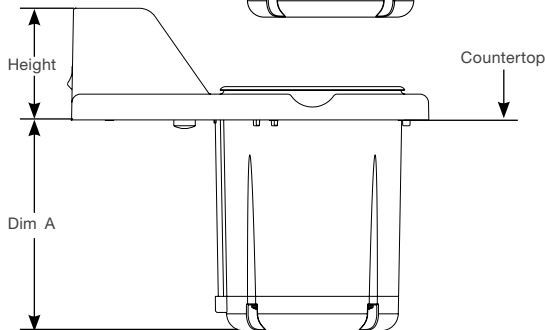
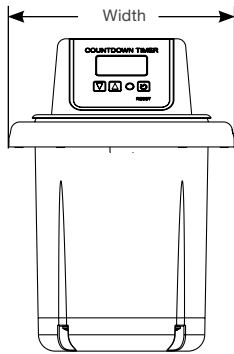
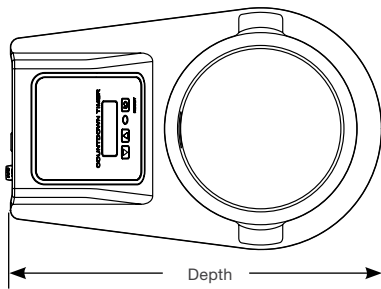
CONSERVEWELL™ Model CW-DI

Specifier Statement

Unit will be a Server Products Model CW-DI ConserveWell™ designed to hold utensils above 140° F as an alternative to a perpetual-flow dipper well. Thermal composite housing is cool-to-touch, includes (1) stainless steel inset and is sold with or without a countdown timer. NSF listed. C-UL-US listed. Two-year warranty. Made in the USA. Ships FOB Richfield, WI 53076.

ConserveWell™ Product Codes

- ConserveWell™ with Timer CW-DI 87770
- ConserveWell™ without Timer CW-DI 87760



Specifications

Part Number	Dimensions (height x width x depth)	Dim A	Cut Out Dimensions	Weight	Electrical
87770	3 3/8" x 6 25/32" x 10 13/32"	6"	Fits 5 1/2" to 6 1/2" openings	6 lbs	120V
87760	8.57 x 17.22 x 26.44 cm	15.24 cm		2.7 kg	100W 1A



Plug is NEMA 5-15P with 108" (274.3 cm) cord



US LISTED



2 YEAR WARRANTY

Related Item

Another option to replace a traditional dipper well perpetual-flow sink is the ConserveWell™ that mounts on almost any wall or vertical surface. Unit comes standard with (2) 1/9-size pans 150 mm deep. This unit is also available with or without a timer.

- ConserveWell™ Wall Mount with Timer CW 87750
- ConserveWell™ Wall Mount without Timer CW 87740



CW 87750



CW 87740



Server Products, Inc. | PO Box 98 | Richfield WI 53076
800.558.8722 | Int'l: 262.628.5600 | F: 262.628.5110
server-products.com

Server Products, Inc. reserves the right to modify specifications without obligation.
Printed in USA | © Server Products, Inc 9.2015 | S 02128