

TOPPING STATIONS FOUNTAIN JAR RAIL COMBOS

Models SR-2, SR-3 & SR-4



SR-2 80570



SR-3 80560



SR-4 80550

BID DESCRIPTION

The non-insulated stainless steel shroud with brushed (#4) finish holds multiple fountain jars in one compact countertop unit.

Ladle combinations come complete with shallow polypropylene fountain jars (82558), sanitary hinged lids (82545) and 1 oz (30 mL) ladles (82562).

STANDARD FEATURES

- Durable stainless steel with a brushed finish
- Stainless steel hinged lid attaches to jar in a snap
- Ladle slot in fountain jar allows lid to close completely
- Colored, engraved knobs are available upon request (contact customer service for options)

RAIL COMBINATIONS

Choose a non-insulated rail for your countertop in (2), (3) or (4)-jar models. Jars lids and ladles are included.

<u>Includes</u>	<u>Non-Insulated Combo</u>
(2) jars	SR-2 80570
(3) jars	SR-3 80560
(4) jars	SR-4 80550

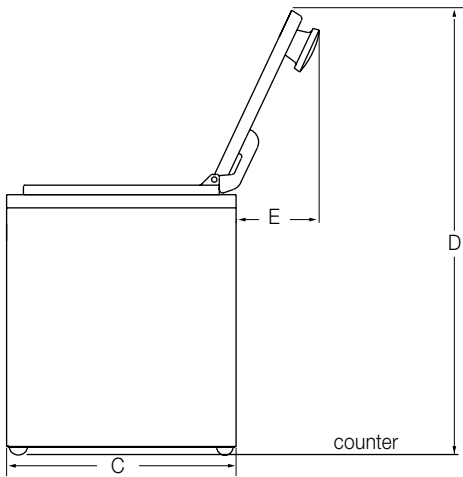
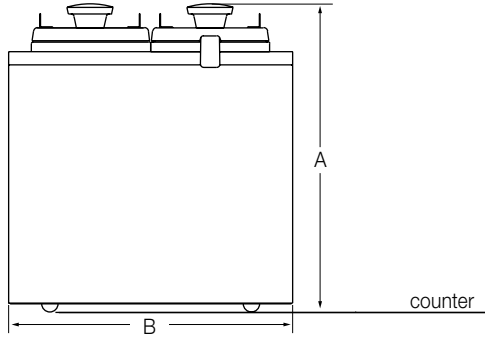
ACCESSORY ITEMS

- Fountain Jar, Plastic, White, 7 ½" (19 cm) 82558
- Fountain Jar, Plastic, Black, 7½" (19 cm) 83147
- Fountain Jar, Plastic, Orange, 7½" (19 cm) 83148
- Ladle, 7" (17.8 cm) Handle 82562
- Lid, Clear Hinged 80310

TOPPING STATIONS FOUNTAIN JAR RAIL COMBOS

Models SR-2, SR-3 & SR-4

COUNTERTOP RAILS



COUNTERTOP	(2) JAR	(3) JAR	(4) JAR
A-Height	11 ¹³ / ₁₆ " 30 cm	11 ¹³ / ₁₆ " 30 cm	11 ¹³ / ₁₆ " 30 cm
B-Width	10 ⁷ / ₈ " 27.6 cm	15 ¹ / ₂ " 39.4 cm	20 ¹ / ₈ " 51.1 cm
C-Depth	8 ¹³ / ₁₆ " 22.4 cm	8 ¹³ / ₁₆ " 22.4 cm	8 ¹³ / ₁₆ " 22.4 cm
D-Lid (Height)	17 ⁵ / ₁₆ " 44 cm	17 ⁵ / ₁₆ " 44 cm	17 ⁵ / ₁₆ " 44 cm
E-Lid (Depth)	3 ³ / ₁₆ " 8.1 cm	3 ³ / ₁₆ " 8.1 cm	3 ³ / ₁₆ " 8.1 cm
Jar Capacity	Shallow: 2 qt (1.9 L) Deep: 3.5 qt (3.3 L)		

FOB RICHFIELD, WISCONSIN 53076

CAD LIBRARY

Individual CAD images can be downloaded free of charge from our website. Our complete collection of CAD files, along with more than 100 other manufacturers, can be purchased through Kochman Consultants, Ltd. at kclcad.com.

TWO YEAR WARRANTY

Server Products equipment is backed by a two-year limited warranty against defects in materials and workmanship. For a copy of our complete warranty statement, please refer to server-products.com.