



S E R V E R

SERVE BETTER™

INSULATED MINI STATION COMBOS

Models MB-2, MB-3 & MB-4



MB-2 87470



MB-3 87290



MB-4 87480

BID DESCRIPTION

Mini Station combinations have an insulated base with stainless steel housing for countertop use. Each combination model includes multiples of the following components: black plastic 1/9-size jar, 6" (15.2 cm) deep, clear plastic hinged lid and 1/2 oz (14.8 mL) plastic spoon.

Insulated Mini Stations can be iced or accept round Eutectic Ice Pack(s) 94013 (purchased separately); MB-4 and MB-3 accept (2), MB-2 accepts (1).

STANDARD FEATURES

- Stainless steel housing has a brushed finish to reduce the visibility of fingerprints
- Exclusive 1/9-size jars hold 1.9 quarts (1.8 L) each
- See Mini Station Component Guide, to create your own combination for countertop or drop-in applications

ACCESSORY ITEMS

- 1/9-Size Jar, 3 1/2" (8.9 cm), Black Plastic 87202
- 1/9-Size Jar, 6" (15.2 cm), Black Plastic 87203
- 1/2 oz (14.8 mL), Clear Plastic Spoon 85156
- Eutectic Ice Pack, Round 94013



2 YEAR
WARRANTY

SPECIFICATIONS ON REVERSE SIDE



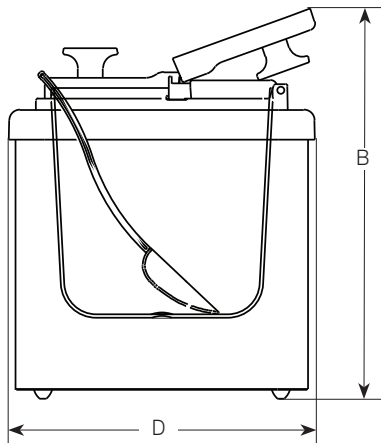
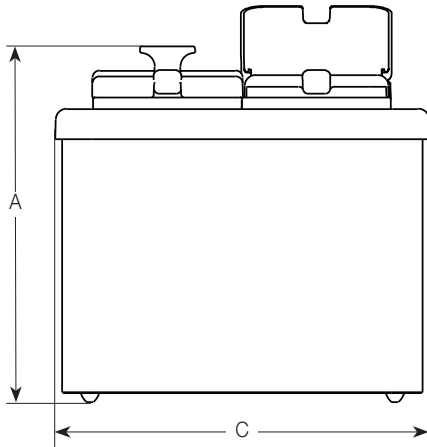
SERVER

SERVE BETTER™

INSULATED MINI STATION COMBOS

Models MB-2, MB-3 & MB-4

MINI STATION MULTIPLES



MODEL	MB-2 87470	MB-3 87290	MB-4 87480
Capacity (per jar)	1.9 qt 1.8 L	1.9 qt 1.8 L	1.9 qt 1.8 L
A-Height	9 9/16" 24.3 cm	9 9/16" 24.3 cm	9 9/16" 24.3 cm
B-Height	10 11/16" 27.1 cm	10 11/16" 27.1 cm	10 11/16" 27.1 cm
C-Width	10" 25.4 cm	14 1/32" 35.6 cm	18 1/16" 45.9 cm
D-Depth	8 3/8" 21.3 cm	8 3/8" 21.3 cm	8 3/8" 21.3 cm
Weight	6 lb 2.7 kg	8 lb 3.6 kg	10 lb 4.5 kg

FOB RICHFIELD, WISCONSIN 53076



Server Products, Inc. | PO Box 98 | Richfield WI 53076 | 800.558.8722

262.628.5600 | F: 262.628.5110 | spsales@server-products.com | server-products.com

Server Products, Inc. reserves the right to modify specifications without obligation. Printed in USA

5.2014 Stock 02108