

BIG CHILL. SMALL SPACE.

1/3-SIZE PAN THERMOELECTRIC CHILLERS

Keep fresh food below 41°F indefinitely – modular design holds up to 6 quarts in (1) 1/3-size, (2) 1/6-size, or (3) 1/9-size pans 6" deep as well as various squeeze bottle holders

Available with or without an insulated hinged lid; quick combo model includes jars, lids & spoons



Dispense food with ladles, spoons, portion control pumps or squeeze bottles – sold separately

Digital display of internal temperature in F° or C° for easy monitoring

Thermoelectric operation is energy efficient and quiet – unlike compressor-driven refrigeration



1/3-PAN CHILLER
Models CC-1/3 & CC-1/3 NL

Applications

- Keep fresh ingredients cold and handy without ice or ice packs
- Suitable for finishing and prep stations or front-of-house self-serve stations

Fast Facts

Thermoelectric chillers have no compressor, offer big savings, consume very little energy and operate quietly.

Open vessel allows for modular set-up to accommodate day-part and seasonal menu changes or LTO programs. Configure with (1) 1/3-size pan, (2) 1/6-size pans, (3) 1/9-size pans, (3) 1/9-size jars or 1/3-size squeeze bottle holder for an operationally efficient use of countertop space.



COUNTERTOP CHILLER - 1/3-SIZE PAN Models CC-1/3, CC-1/3 NL & CC-1/3 NL Combo



1.800.558.8722
Countertop-Chillers.com



COOL MORE, WASTE LESS.

COUNTERTOP CHILLERS

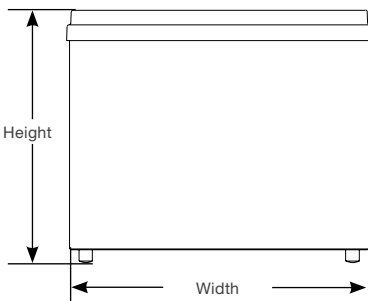
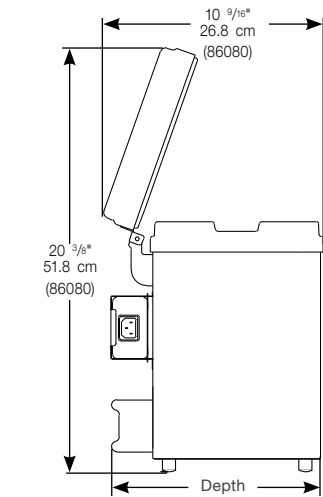
Model CC-1/3 & CC-1/3 NL

Specifier Statement

Unit will be a Server Products Model CC-1/3 thermoelectric chiller with digital temperature readout (F°/C°). Chiller is constructed of a stainless steel base with aluminum vessel and keeps product below 41°F (5°C). Holds a 1/3-size food pan, 6" (15.2 cm) deep with a 6 quart capacity. Configure with standard food pans up to 1/3-size or (3) Server Products 1/9-size jars, 6" (15.2 cm) deep with a 1.9 quart (1.8 L) capacity each. Models available with or without double-walled hinged lid or complete with jars, lids and spoons. NSF listed. C-UL-US listed. Two-year warranty. Ships FOB Richfield, WI 53076.

CC-1/3 Product Codes

- Chiller with Lid CC-1/3 86080
- Chiller without Lid CC-1/3 NL 86140
- Chiller Combo CC-1/3 NL (Combo) 86006
Includes (3) 1/9-size jars (87203), clear lids (87253) and spoons (85156)



Specifications

| Part Number | Capacity | Dimensions (height x width x depth) | Weight | Electrical |
|-------------|--|---|------------------|--|
| 86080 | Up to a 1/3-size pan, 6" (15.2 cm) deep with 6 qt capacity | 13 3/16" x 14 7/8" x 10 1/8" 33.4 x 37.8 x 25.7 cm | 26 lb 11.8 kg | Power supply converts 120V 1 Amp AC to 12V DC power with 7' (2.1 m) power cord NEMA 5-15P, 15 A, 125V PLUG |
| 86140 | (3) 1.9 qt (1.8 L) 1/9 size jars* *Jars, lids & spoons included | 12 1/16" x 13 7/8" x 10 1/8" 30.6 x 35.2 x 25.7 cm | 21 lb 9.6 kg | |
| 86006 | | 13 3/8" x 13 7/8" x 10 1/8" 34 x 35.2 x 25.7 cm | 23 lb 10.4 kg | |

Also available for 208-240V with plug types



Accessory Items

Customize a 1/3-Pan chiller to fit your needs. Configure with pumps, ladles, spoons or squeeze bottles for topping, finishing or plating.

- Stainless Steel FP-1/6 Pump, 1 oz (30 mL) 86312
- Stainless Steel CP-1/6 Pump, 1 oz (30 mL) 83400
- Stainless Steel FP-1/9 Pump, 1 oz (30 mL) 87310
- Stainless Steel CP-1/9 Pump, 1 oz (30 mL) 87300
- 1/9-Size, 6" (15.2 cm) Deep Jar, 1.9 qt (60 oz) 87203
- 1/6-Size, 6" (15.2 cm) Deep Pan, 2 3/4 qt (2.6 L) 90089
- 1/3-Size, 6" (15.2 cm) Deep Pan, 6 qt (5.7 L) 90083
- 1/3-Size Squeeze Bottle Holder, (8) FIFO 16 oz 86996
- 1/3-Size Squeeze Bottle Holder, (6) 16 oz 87045



CC-1/3 NL with SBH-6 Squeeze Bottle Holder



CC-1/3 NL with (2) CP-1/6 Pumps and (2) 1/6-Pans



CC-1/3 NL with (3) FP-1/9 Pumps and (3) 1/9-Jars