

PUMPS: STAINLESS STEEL FOUNTAIN JAR PUMPS

Models CP-200, FP-200V, FP-200, CP-F, FP-V, FP, FPV-DI & FP-DI

WHAT DO YOU DISPENSE?

- ◊ **THIN** • fountain syrups • liqueur • hot or soy sauce
- **THICK** • ketchup • mustard • mayo • bbq sauce
- **PARTICULATES** • tartar sauce • Thousand Island



CP-200 83300



FP 82070



FPV-DI 82520

BID DESCRIPTION

Server Products fountain jar pumps dispense from standard 7½" (19 cm) or 10" (25.4 cm) fountain jars. Each stainless steel pump is constructed with a cast valve body featuring captured balls to prevent loss. Portion size reduces in ⅛ ounce (3.7 mL) increments with supplied gauging collars. Pump knob can be colored and engraved to label contents; black is standard.

Models that dispense from a fountain jar, 7½" (19 cm) deep (82558) have a 1 oz (30 mL) stroke; 10" (25.4 cm) jar (82557) models dispense 1¼ oz (37 mL). See chart for details.

Slanted rail models (FPV-DI & FP-DI), utilize taller discharge tubes to drop into your fountainette with a 22° angle. Countertop models (FP-200 & FP) also operate at a 22° angle.

STANDARD FEATURES

- Stainless steel construction
- Fit standard fountain jars, sold separately
- 1 oz (30 mL) or 1¼ oz (37 mL) maximum portion; adjustable in ⅛ oz (3.7 mL) increments
- Choose horizontal or slanted (operated at a 22° angle)
- Colored, engraved knob is available upon request

ACCESSORY ITEMS

- Fountain Jar, Plastic, White, 7½" (19 cm) 82558
- Fountain Jar, Plastic, White, 10" (25.4 cm) 82557
- Fountain Jar, Plastic, Black, 7½" (19 cm) 83147
- Fountain Jar, Plastic, Black, 10" (25.4 cm) 83149
- Fountain Jar, Plastic, Orange, 7½" (19 cm) 83148
- Fountain Jar, Plastic, Orange, 10" (25.4 cm) 83156
- Pump Lock (slides over lid & jar to hold together) 80443

TWO YEAR WARRANTY

Server Products equipment is backed by a two-year limited warranty against defects in materials and workmanship. For a copy of our complete warranty statement, please refer to server-products.com.

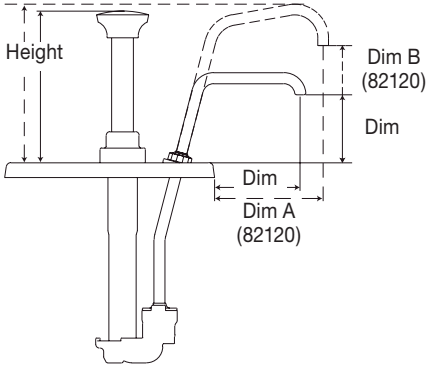


Ⓢ Slanted rail models, operate at a 22° angle, in your fountainette.

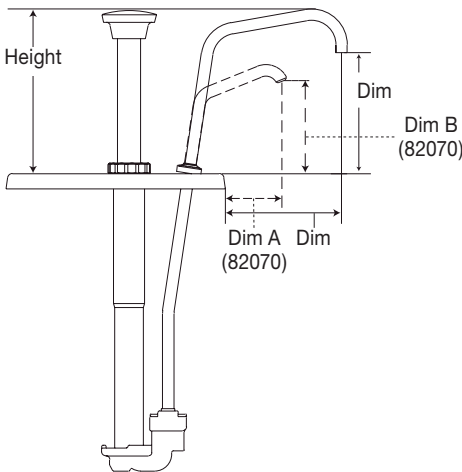
PUMPS: STAINLESS STEEL FOUNTAIN JAR PUMPS

Models CP-200, FP-200V, FP-200, CP-F, FP-V, FP, FPV-DI & FP-DI

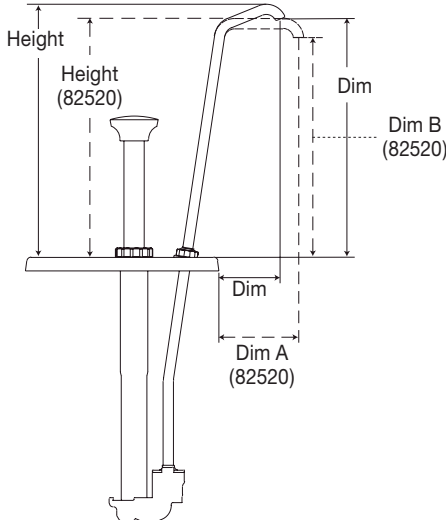
CP-200 83300, FP-200V 82130 & FP-200 82100; SLANTED RAIL®



CP-F 83330, FP-V 82120 & FP 82070; SLANTED RAIL®



FPV-DI 82520 & FP-DI 82990; SLANTED RAIL®



FOOD KEY				
MODEL	CP-200 83300	FP-200V 82130	CP-F 83330	FP-V 82120
Jar Used	Shallow 82558	Shallow 82558	Deep 82557	Deep 82557
Full Portion	1 oz 30 mL	1 oz 30 mL	1¼ oz 37 mL	1¼ oz 37 mL
Height	5 1/8" 13 cm	5 1/8" 13 cm	5 1/8" 13 cm	5 1/8" 13 cm
Dim. A	3 7/8" 9.8 cm	2 7/8" 7.3 cm	3 7/8" 9.8 cm	2 7/8" 7.3 cm
Dim. B	4 1/16" 10.3 cm	2 5/16" 5.9 cm	4 1/16" 10.3 cm	2 9/16" 6.5 cm
Weight	3 lb (1.4 kg)			
Cutout Size	4 5/16" x 7" (11 x 17.8 cm)			
Dimensions (above jar)	4 1/2" (11.4 cm) Wide x 7 1/8" (18.1 cm) Deep			
Capacity	Fountain jar, 10" (15.2 cm) deep holds 3½ qt (3.3 L); 7½" (19 cm) jar holds 2 qt (1.9 L).			

FOOD KEY				
MODEL	FP-200® 82100	FP® 82070	FP-DI® 82990	FPV-DI 82520
Jar Used	Shallow 82558	Deep 82557	Deep 82557	Deep 82557
Full Portion	1 oz 30 mL	1¼ oz 37 mL	1¼ oz 37 mL	1¼ oz 37 mL
Height	5 1/8" 13 cm	5 1/8" 13 cm	5 1/8" 13 cm	5 1/8" 13 cm
Dim. A	2 1/8" 5.4 cm	1 7/8" 4.8 cm	2 1/4" 5.7 cm	3" 7.6 cm
Dim. B	2 7/8" 7.3 cm	3" 7.6 cm	8 3/4" 22.2 cm	8 1/2" 21.6 cm
Weight	3 lb (1.4 kg)			
Cutout Size	4 5/16" x 7" (11 x 17.8 cm)			
Dimensions (above jar)	4 1/2" (11.4 cm) Wide x 7 1/8" (18.1 cm) Deep			
Capacity	Fountain jar, 10" (15.2 cm) deep holds 3½ qt (3.3 L); 7½" (19 cm) jar holds 2 qt (1.9 L).			

FOB RICHFIELD, WISCONSIN 53076