




PUMPS: POUCHED PRODUCTS SERVER EXPRESS™ STANDS

Models SS-1SE & SS-2SE

WHAT DO YOU DISPENSE?

-  **THIN** • fountain syrups • liqueur • hot or soy sauce
-  **THICK** • ketchup • mustard • mayo • bbq sauce
-  **PARTICULATES** • tartar sauce • Thousand Island



  
SS-1SE 67760



  
SS-2SE 07300

BID DESCRIPTION

The Server Express Stands have a stainless steel base with a brushed (#4) finish to reduce the visibility of fingerprints. Each are furnished with the Server Express™ Dispensing System— a surgical-quality plastic pump in a black, thermoset polyester vessel with stainless steel lid.

Each Express™ System dispenses from a 1½ gallon (or 6 L) pouch with 16 mm fitment. A maximum portion of 1 ounce (30 mL) can be reduced in ¼ ounce (7 mL) increments.

Single and Twin Express™ Stands include the Express System SE SINGLE 07000 that sets in a stainless steel shroud.

STANDARD FEATURES

- Stainless steel base with brushed (#4) finish to reduce the visibility of fingerprints
- Dispense ketchup, mustard and mayonnaise from a 1½ gallon (or 6 L) pouch with 16 mm fitment
- Express pump is constructed of surgical-quality plastic parts— quick to breakdown and completely dishwasher safe
- ADA compliant at ½ oz and ¼ oz portions, requiring less than 5 lbs of pressure to dispense
- 1 oz (30 mL) portion; adjustable in ¼ oz (7 mL) increments

ACCESSORY ITEMS

- Express™ Pump (only) 07794
- 1/6-size steam table pan, 6" (15.2 cm) deep 90089

TWO YEAR WARRANTY

Server Products equipment is backed by a two-year limited warranty against defects in materials and workmanship. For a copy of our complete warranty statement, please refer to server-products.com.



ADA
compliant

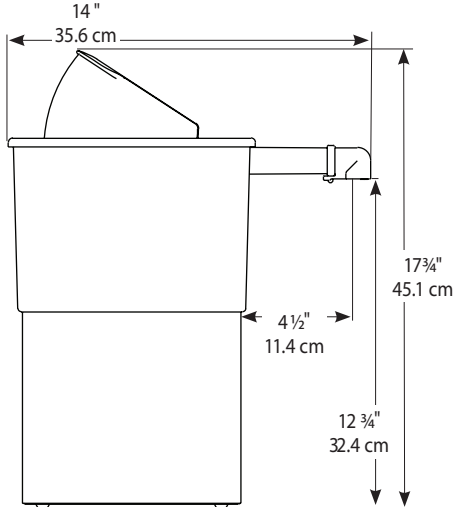
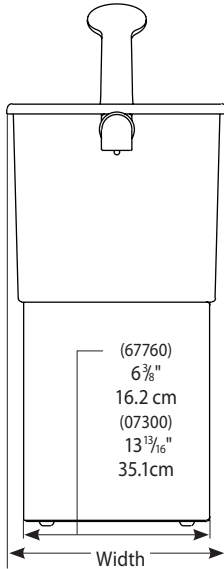


2 YEAR
WARRANTY

PUMPS: POUCHED PRODUCTS SERVER EXPRESS™ STANDS

Models SS-1SE & SS-2SE

SINGLE & TWIN STAND MODELS



MODELS ☺●●●	SS-1SE 67760	SS-2SE 07300
Capacity	1.5 gal 6 L	1.5 gal 6 L
Height	17 3/4" 45.1 cm	17 3/4" 45.1 cm
Width	7 1/2" 19.1 cm	14 15/16" 37.9 cm
Depth	14" 35.6 cm	14" 35.6 cm
Weight	10 lb 4.5 kg	17 lb 7.7 kg

FOB RICHFIELD, WISCONSIN 53076

CAD LIBRARY

Individual CAD images can be downloaded free of charge from our website. Our complete collection of CAD files, along with more than 100 other manufacturers, can be purchased through Kochman Consultants, Ltd. at kclcad.com.